



# Manual for connection and operation of

# GIR 230 NS

Version 1.0



## **Index**

<b>1. SAFETY REGULATIONS .....</b>	<b>3</b>
<b>2. INTRODUCTION .....</b>	<b>4</b>
<b>3. ELECTRICAL CONNECTION.....</b>	<b>4</b>
3.1. Terminal assignment.....	4
3.2. Connection data .....	4
3.3. Connecting an input signal.....	5
3.3.1. Connecting a transmitter .....	5
3.4. Connecting switching outputs.....	5
3.4.1. Connection of the relay outputs .....	5
3.4.2. Connection of output 3 (NPN-output, switching to ground).....	5
<b>4. CONFIGURATION OF THE DEVICE .....</b>	<b>6</b>
4.1. Selecting an input signal type .....	6
4.2. Selection of the output function.....	7
<b>5. SWITCHPOINTS RESP. ALARM-BOUNDARIES .....</b>	<b>8</b>
5.1. 2-point-controller, 3-point-controller.....	8
5.2. 2-point-controller with alarm function, 3-point-controller with alarm function .....	9
5.3. Minimum/maximum-alarm.....	10
<b>6. OFFSET- AND SLOPE-ADJUSTMENT .....</b>	<b>11</b>
<b>7. MIN-/MAX-VALUE STORAGE: .....</b>	<b>11</b>
<b>8. ERROR CODES .....</b>	<b>12</b>
<b>9. SPECIFICATION.....</b>	<b>13</b>

## 1. Safety regulations

This device was designed and tested considering the safety regulations for electronic measuring devices.

Faultless operation and reliability in operation of the measuring device can only be assured if the General Safety Measures and the devices specific safety regulations mentioned in this users manual are considered.

1. Faultless operation and reliability in operation of the measuring device can only be assured if the device is used within the climatic conditions specified in the chapter "Specification"
2. Always disconnect the device from its supply before opening it. Take care that nobody can touch any of the devices contacts after installing the device.
3. Standard regulations for operation and safety for electrical, light and heavy current equipment have to be observed, with particular attention paid to the national safety regulations (e.g. VDE 0100).
4. When connecting the device to other devices (e.g. the PC) the interconnection has to be designed most thoroughly, as internal connections in third-party devices (e.g. connection of ground with protective earth) may lead to undesired voltage potentials.
5. The device must be switched off and must be marked against re starting, in case of obvious malfunctions of the device which are e.g.:
  - visible damage.
  - the device is not working as specified
  - after storage of the device under inappropriate conditions for longer time.

In case of doubt, the device should be sent to the manufacturer for repairing or servicing.



**ATTENTION:** When running electric devices, parts of them will always be electrically live. Unless the warnings are observed serious personal injuries or damage to property may result. Skilled personnel only should be allowed to work with this device. For trouble-free and safe operation of the device please ensure professional transport, storage, installation and connection as well as proper operation and maintenance.

### **SKILLED PERSONNEL**

Are persons familiar with installation, connection, commissioning and operation of the product and have professional qualification relating to their job.

For example:

- Training or instruction resp. qualifications to switch on or off, isolate, ground and mark electric circuits and devices or systems.
- Training or instruction according to the state.
- First-aid training.



### **ATTENTION:**

**Do NOT use this product as safety or emergency stopping device, or in any other application where failure of the product could result in personal injury or material damage.**

**Failure to comply with these instructions could result in death or serious injury and material damage.**

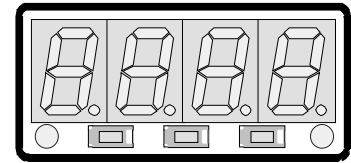
## 2. Introduction

The GIR 230 NS is a microprocessor controlled displaying, monitoring and controlling device.

The device is supporting one universal interface for the connection of:

- Standard transmitter signal 0 – 10 V,
- Standard transmitter signal 0 (4) – 20mA

The device features switching outputs (2 \* Relays, 1 \* NPN-Output), which can be configured as 2-point-controller, 3-point-controller, 2-point-controller with min./max. alarm, 3-point-controller with min./max. alarm, or just individual min./max. alarm.



The state of the relay outputs is displayed with two LED's beneath the front 4-digit LED-display. The left LED displays the state of the 1st relay, the right LED displays the state of the 2nd relay.

When leaving factory the GIR230NS has been subjected to various inspection tests and is completely calibrated.

**Before the GIR230NS can be used, it has to be configured for the customer's application.**

**Hint:** *In order to avoid undefined input states and unwanted or wrong switching processes, we suggest to connect the device's switching outputs after You have configured the device properly.*

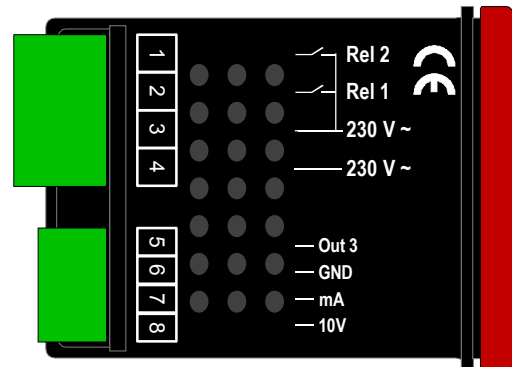
## 3. Electrical connection

Wiring and commissioning of the device must be carried out by skilled personnel only.

**In case of wrong wiring the GIR230NS may be destroyed. We can not assume any warranty in case of wrong wiring of the device.**

### 3.1. Terminal assignment

1	Relay-Output 2 (230VAC)
2	Relay-Output 1 (230VAC)
3	Supply voltage, 230VAC
4	Supply voltage, 230VAC
5	Output 3
6	GND
7	Input mA
8	Input 0-10V



### 3.2. Connection data

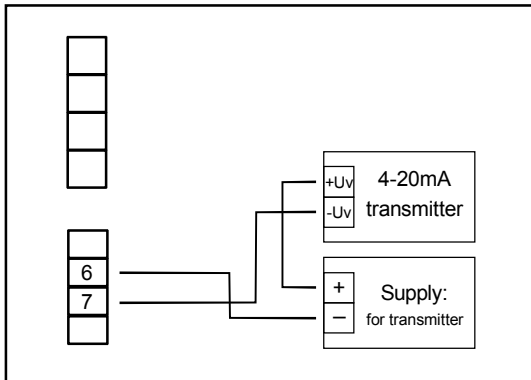
	Between terminals	typical		limitations		notes
		min.	max.	min.	max.	
Supply voltage	3 and 4	207 VAC	244 VAC	0 VAC	253 VAC	
Relay outputs 1 and 2	1 and 3, 2 and 3				5 A, ohm resistive load	
Output 3 (NPN, open collector)	5 and 6			0 VDC	28 VDC, I < 30mA	
Input 0(4)-20 mA	7 and 6	0 mA	20 mA	0 mA	30 mA	
Input 0-10 V	8 and 6	0 VDC	10 VDC	-1 VDC	20 VDC	

***These limits must not be exceeded (not even for a short time) !***

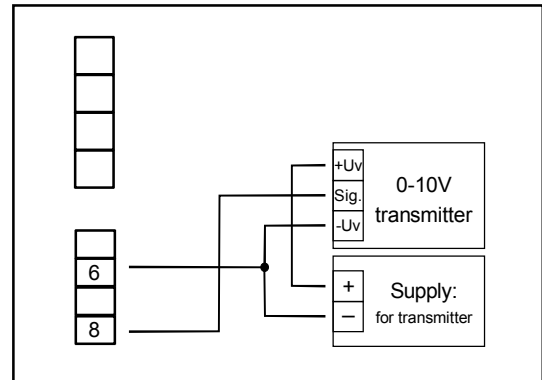
### 3.3. Connecting an input signal

Please take care not to exceed the limitations of the inputs when connecting the device as this may lead to destruction of the device.

#### 3.3.1. Connecting a transmitter



4-20mA - Transmitter (connected with 2-wire-technology)



0-10V - Transmitter (connected with 3-wire-technology)

### 3.4. Connecting switching outputs

The switching outputs are depending on the device's configuration of the selected output functions. (see chapter 4.2)

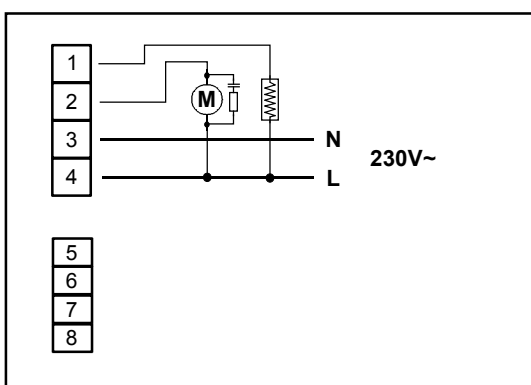
**Hint:** In order to avoid unwanted or wrong switching processes, we suggest to connect the device's switching outputs after you have configured the device's switching outputs properly.

Please take care that you must not exceed the limits of the voltage and of the maximum current of the switching outputs (not even for a short period of time).

Please take extreme care when switching inductive loads (like coils or relays, etc.) because of their high voltage peaks, protective measures to limit these peaks have to be taken.

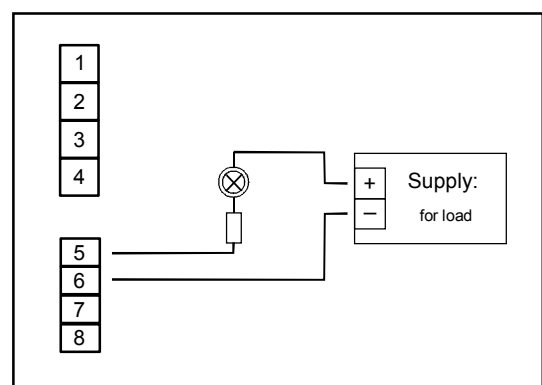
When switching large capacitive loads a series resistor for current limitation is needed, because of the high turn-on-current of high capacitive loads. The same applies to incandescent lamps, whose turn-on-current is also quite high due to their low cold resistance.

#### 3.4.1. Connection of the relay outputs



Connection of consumer loads (motor, heater)

#### 3.4.2. Connection of output 3 (NPN-output, switching to ground)



Connection of consumer loads (lamp)

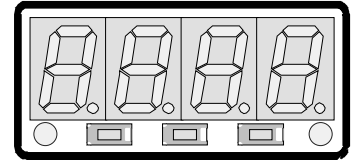
## 4. Configuration of the device

**Please note:** When you are configuring the device and don't press any button for more than 60 sec. the configuration of the device will be cancelled. The changes you made will not be saved and will be lost!

*Hint:* The buttons 2 and 3 are featured with a 'roll-function'. When pressing the button once the value will be raised (button 2) by one or lowered (button 3) by one. When holding the button pressed for longer than 1 sec. the value starts counting up or down, the counting speed will be raised after a short period of time. The device also features a 'overflow-function', when reaching the upper limit of the range, the device switches to the lower limit, vice versa.

### 4.1. Selecting an input signal type

- Turn the device on and wait until it completed its built-in segment test.
- Press button 2 for >2 sec.  
The device displays "**InP**" ('INPUT').
- Use button 2 or button to select the input signal



Button 1 Button 2 Button 3

Display	Input signal	Note
<b>10.00</b>	0 – 10 V (voltage)	
<b>4-20</b>	4 – 20 mA (current)	
<b>0-20</b>	0 – 20 mA (current)	

- Validate the selection with button 1 (the left button). The display will show "**InP**" again.
- Press button 1 again, The display will show "**dP**" (decimal point).
- Select the desired decimal point place by pressing button 2 resp. button 3.
- Validate the selected decimal position by pressing button 1. The display shows "**dP**" again.
- Press button 1 again, the display will show "**di.Lo**" (Display Low = low display value).
- Use button 2 resp. button 3 to select the desired value the device should display when a 0mA, 4mA resp. 0V input signal is attached.
- Validate the selected value by pressing button 1. The display shows "**di.Lo**" again.
- Press button 1 again, the display will show "**di.Hi**" (Display High = high display value).
- Use button 2 resp. button 3 to select the desired value the device should display when a 20mA resp. 10V input signal is attached.
- Validate the selected value by pressing button 1. The display shows "**di.Hi**" again.
- Press button 1 again. The display will show "**Li**" (Limit = Measuring range limit).
- Use button 2 resp. button 3 to select the desired measuring range limit.

Display	Measuring range limit	Notes
<b>off</b>	deactivated	Exceeding of the measuring range limit is tolerable for about 10% of the selected input signal.
<b>on.Er</b> (on error)	active, (displays error)	The measuring range limit is exactly bounded by the input signal. When exceeding or shortfailing the input signal the device will display an error message.
<b>on.rG</b> (on range)	active, (displays the selected limit)	The measuring range limit is exactly bounded by the input signal. When exceeding or shortfailing the input signal the device will display the selected lower/upper display value. <i>[e.g. humidity: when shortfailing or exceeding, the device will display 0% resp. 100%]</i>

*Hint:* When exceeding the measuring range limit > 10% independently from the setting, the device will always display an error message ("Err.1" or "Err.2").

- Press button 1 to validate the selection, the display shows “**Li**” again.
- When pressing button 1 again, the display will show “**FILt**” (Filter = digital filter).
- Use button 2 and button 3 to select the desired filter [in sec.].  
Selectable values: 0.01 ... 2.00 sec.

*Explanation: this digital filter is a digital replica of a low pass filter.*

- Press button 1 to validate your value, the display shows “**FILt**” again.

Now your device is adjusted to your signal source. Now the only thing left to do is to adjust the outputs of the device.

## **4.2. Selection of the output function**

- After configuration of the input (chapter 4.2 – 4.7) you have to select the output function. When pressing Button 1 again the display will show “**outP**” (output).
- Use button 2 and button 3 (middle resp. right button) to select the desired output-function. The following table shows how the outputs will be configured on your selection.

Description	To select as output	Output 1 (relay 1)	Output 2 (relay 2)	Output 3 (out 3)	See chapter
No output, device is used as display device	<b>no</b>	off	off	off	--
2-point-controller	<b>2P</b>	Switch-function 1	Switch-function 1, inverted	Switch-function 1	5.1
3-point-controller	<b>3P</b>	Switch-function 1	Switch-function 2	Switch-function 1	5.1
2-point-controller with min-/max-alarm	<b>2P.AL</b>	Switch-function 1	Min-/Max-alarm, inverted	Min-/Max-alarm, inverted	5.2
3-point-controller with min-/max-alarm	<b>3P.AL</b>	Switch-function 1	Switch-function 2	Min-/Max-alarm, inverted	5.2
min-/max-alarm	<b>AL</b>	Max-alarm, inverted	Min-alarm, inverted	Min-/Max-alarm, inverted	5.3

- Press button 1 to validate the selected output function. The display shows “**outP**” again.

When selected ‘no’ as desired output you finished configuring your device. Press button 1 to switch over to display the measuring value.

When selected a different output you have to configure the preferred states and delay time of the outputs and the switch and alarm points.

*Depending on your output function setting, it may be possible that one or more settings described below won't be available.*

- When pressing button 1 again, the device will display “**1.dEL**” (delay of switch function 1).
- Use button 2 and button 3 to set the desired value for switch function 1.  
*Hint: The selected value [0.01 ... 2.00] will be in seconds.*
- Press button 1 to validate the selection. The display shows “**1.dEL**” again.
- Press button 1 again, the device will display “**1.Err**” (error = preferred state of switch function 1).
- Use button 2 and button 3 (middle resp. right button) to set the desired output state in case of an error.

Display	Preferred state of the output	Note
<b>off</b>	Inactive in case of an error	
<b>on</b>	Active in case of an error	

- Press button 1 to validate the selection. The display shows “**1.Err**” again.

- In case you selected a 3-point-controller you have to make the following settings similar to the settings you already made for output 1:  
"2.dEL" (delay of output 2), "2.Err" (preferred state of output 2).

Depending on the selected output function you have to make the settings for switching resp. alarm points. See description in chapter „switchpoints resp. alarm-boundaries“ for further information.

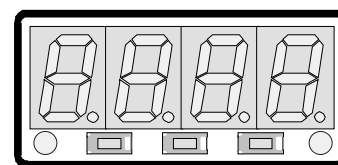
*Hint:* The settings for the switching and alarm points can be made later in an extra menu (see chapter 5)

## 5. Switchpoints resp. alarm-boundaries

**Please note:** The settings of the switchpoints will be cancelled, when no button was pressed for more than 60 sec. changes you may have made already won't be saved and will be lost!

*Hint:* The buttons 2 and 3 are featured with a 'roll-function'. When pressing the button once the value will be raised (button 2) by one or lowered (button 3) by one. When holding the button pressed for longer than 1 sec. the value starts counting up or down, the counting speed will be raised after a short period of time. The device also features an 'overflow-function', when reaching the upper limit the device switches to the lower limit, vice versa.

- When pressing button 1 for >2 sec. the menu to select the switchpoints and alarm-boundaries will be called.
- Depending on the configuration you have made in the „output“ menu you will get different display values. Please follow the specific chapter for further information.



Button 1 Button 2 Button 3

Description	Selected as output	Go on in chapter	Note
No output, device is used as display unit	<b>no</b>	--	
2-point-controller	<b>2P</b>	5.1	
3-point-controller	<b>3P</b>	5.1	
2-point-controller with min-/max-alarm	<b>2P.AL</b>	5.2	
3-point-controller with min-/max-alarm	<b>3P.AL</b>	5.2	
min-/max-alarm	<b>AL</b>	5.3	

### 5.1. 2-point-controller, 3-point-controller

This chapter describes how to configure the device as a 2-point-controller resp. 3-point-controller. This instruction demands that you selected "2P" or "3P" as your desired output function.

- Press button 1 (*when not already done*). The device will be displaying "1.on" (turn-on-point of output 1).
- Use button 2 and button 3 to set the desired value, the device's output 1 should be turning on.
- Press button 1 to validate your selection. The display shows "1.on" again.
- When pressing button 1 again, the device will be displaying "1.off". (turn-off-point of output 1)
- Use button 2 and button 3 to set the desired value, the device's output 1 should be turning off.
- Press button 1 to validate your selection. The display shows "1.off" again.

**Example:** You want to control the temperature of a heating coil, with a hysteresis of +2°C, to 120°C. Therefore you will have to select the turn-on-point "1.on" to 120°C and the turn-off-point to "122°C". When your heating coil temperature falls below 120°C it will be turned on. When the temperature rises above 122°C the heating coil will be turned off.

*Note:* Depending on the inertia of your heating coil an overshooting of the temperature may be possible.

When selected '2-point-controller' you finished configuring your device. Press button 1 to switch over to display the measuring value.

When selected '3-point-controller' please follow the instructions given below.



- Press button 1 (*when not already done*). The device will be displaying “**2.on**” (turn-on-point of output 2).
- Use button 2 and button 3 to set the desired value, the device’s output 2 should be turning on.
- Press button 1 to validate your selection. The display shows “**2.on**” again.
- When pressing button 1 again, the device will be displaying “**2.off**”. (turn-off-point of output 2)
- Use button 2 and button 3 to set the desired value, the device’s output 2 should be turning off.
- Press button 1 to validate your selection. The display shows “**2.off**” again.

Now you finished configuring your device. Press button 1 to switch over to display the measuring value.

## **5.2. 2-point-controller with alarm function, 3-point-controller with alarm function**

This chapter describes how to configure the device as a 2-point-controller with alarm function or 3-point-controller with alarm function. This instruction demands that you selected “**2P.AL**” or “**3P.AL**” as your desired output function.

- Press button 1 (*when not already done*). The device will be displaying “**1.on**” (turn-on-point of output 1).
- Use button 2 and button 3 to set the desired value, the device’s output 1 should be turning on.
- Press button 1 to validate your selection. The display shows “**1.on**” again.
- When pressing button 1 again, the device will be displaying “**1.off**”. (turn-off-point of output 1)
- Use button 2 and button 3 to set the desired value, the device’s output 1 should be turning off.
- Press button 1 to validate your selection. The display shows “**1.off**” again.

**Example:** *You want to control the temperature of a cooling chamber between  $-20^{\circ}\text{C}$  and  $-22^{\circ}\text{C}$ . Therefore you will have to select  $-20^{\circ}\text{C}$  for the turn-on-point 1 “1.on” and  $-22^{\circ}\text{C}$  for the turn-off-point 1 “1.off”. When the temperature rises above  $-20^{\circ}\text{C}$  the device turns its output 1 on, when falling below  $-22^{\circ}\text{C}$  the device will turn its output 1 off.*

*Note: Depending on the inertia of your cooling circuit an overshooting of the temperature may be possible.*

When selected '3-point-controller with alarm function', you have to select the switching points for the second switching function (“**2.on**”, “**2.off**”). Configuring these settings like the first switching function. After that the alarm outputs have to be configured.

- When pressing button 1, the device will be displaying “**AL.Hi**”. (maximum alarm-value)
- Use button 2 and button 3 to set the desired value, the device should turn on its maximum-alarm.
- Press button 1 to validate your selection. The display shows “**AL.Hi**” again.
- When pressing button 1 again, the device will be displaying “**AL.Lo**”. (minimum alarm-value)
- Use button 2 and button 3 to set the desired value, the device should turn on its minimum-alarm
- Press button 1 to validate your selection. The display shows “**AL.Lo**” again.
- When pressing button 1 again, the device will be displaying “**A.dEL**”. (delay of the alarm-function)
- Use button 2 and button 3 to set the desired delay of the alarm-function.

*Note: The unit of the value to be set [0 .. 9999] is in seconds. The device will turn on the alarm after the minimum or maximum alarm value was active for the delay-time you have set.*

- Press button 1 to validate the delay time. The display shows “**A.dEL**” again.

**Example:** *You want to have an alarm monitoring for the cooling chamber mentioned above. The alarms should start when the temperature will be rising above  $-15^{\circ}\text{C}$  or falling below  $-30^{\circ}\text{C}$ . Therefore you have to select  $-15^{\circ}\text{C}$  for the maximum alarm-value “AL.Hi” and  $-30^{\circ}\text{C}$  for the minimum alarm-value “AL.Lo”. The alarm will be starting after the temperature rises above  $-15^{\circ}\text{C}$  and stays above  $-15^{\circ}\text{C}$  for the entered delay time or after it had been falling below  $-30^{\circ}\text{C}$  and stays below  $-30^{\circ}\text{C}$  for the entered delay time.*

*Please note that the alarm-outputs are inverted! This means, that the output will be active if there is no alarm!*

Now you finished configuring your device. Press button 1 to switch over to display the measuring value.

### **5.3. Minimum/maximum-alarm**

This chapter describes how to configure the device's alarm boundaries for min-/max-alarm-monitoring. This instruction demands that you selected "**AL**" as your desired output function.

- Press button 1 (*when not already done*) , the device will be displaying "**AL.Hi**". (maximum alarm-value)
- Use button 2 and button 3 to set the desired value, the device should turn on its maximum-alarm.
- Press button 1 to validate your selection. The display shows "**AL.Hi**" again.
- When pressing button 1 again, the device will be displaying "**AL.Lo**". (minimum alarm-value)
- Use button 2 and button 3 to set the desired value, the device should turn on its minimum-alarm
- Press button 1 to validate your selection. The display shows "**AL.Lo**" again.
- When pressing button 1 again, the device will be displaying "**A.dEL**". (delay of the alarm-function)
- Use button 2 and button 3 to set the desired delay of the alarm-function.

*Note:* The unit of the value to be set [0 .. 9999] is in seconds. The device will turn on the alarm after minimum or maximum alarm value was active for the delay-time you have set.

- Press button 1 to validate the delay time. The display shows "**A.dEL**" again.

**Example:** *You want to have a temperature alarm-monitoring of a greenhouse. The alarm should start when the temperature rises above 50°C or falls below 15°C.*

*Therefore your settings will be 50°C for the maximum alarm-value "AL.Hi" and 15°C for the minimum alarm-value "AL.Lo".*

*The alarm will be starting after the temperature rises above 50°C and stays above 50°C for the entered delay time or after it had been falling below 15°C and stays below 15°C for the entered delay time.*

*Please note that the alarm-outputs are inverted! This means, that the output will be active when there is no alarm!*

Now you finished configuring your device. Press button 1 to switch over to display the measuring value.

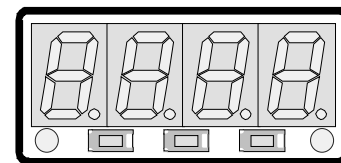
## 6. Offset- and slope-adjustment

The offset and slope-adjustment function can be used for compensating the tolerance of the used sensor, resp. for vernier adjustment of the used transducer or transmitter.

**Please note:** *The settings of the offset- / slope-adjustment will be cancelled, when no button was pressed for more than 60 sec. Changes you may have made already won't be saved and will be lost!*

**Hint:** *The buttons 2 and 3 are featured with a 'roll-function'. When pressing the button once the value will be raised (button 2) by one or lowered (button 3) by one. When holding the button pressed for longer than 1 sec. the value starts counting up or down, the counting speed will be raised after a short period of time. The device also features a 'overflow-function', when reaching the upper limit the device switches to the lower limit, vice versa.*

- turn on the device and wait after it finished its built-in segment test.
- Press button 3 > 2 sec.  
The device will be displaying "**OFFS**" (offset).
- Use button 2 and button 3 for setting the desired zero point offset-value.  
*The input of the offset will be in digits*  
*The value that had been set will be subtracted from the measured value. (see below for further information)*
- Press button 1 to validate your selection. The display shows "**OFFS**" again.
- When pressing button 1 again, the device will be displaying "**SCAL**". (scale = slope)
- Use button 2 and button 3 to select the desired slope-adjustment.  
*The slope adjustment will be entered in %. The value displayed can be calculated like this:*  
Displayed value = (measured value – zero point offset) \* (1 + slope adjustment [% / 100]).  
*Example: The setting is 2.00 => the slope has risen 2.00% => slope = 102%.*  
*When measuring a value of 1000 (without slope-adjustment) the device would display 1020 (with slope adjustment of 102%)*
- Press button 1 to validate the selection of the slope-adjustment. The display shows "**SCAL**" again.



Button 1 Button 2 Button 3

### Example for offset- and slope-adjustment:

**Example:** *Connecting of a pressure-transducer*

*The device displays the following values (without offset- or slope-adjustment): at 0 bar = 0.08, at 20 bar = 20.02*

*Therefore you calculated: zero point: 0.08*

*slope: 20.02 – 0.08 = 19.94*

*deviation: 0.06 (= target slope – actual slope = 20.00 - 19.94)*

*You have to set: offset = 0.08 (= zero point deviation)*

*scale = 0.30 (= target slope / actual slope = 0.06 / 19.94 = 0.0030 = 0.30%)*

## 7. Min-/max-value storage:

The device features a minimum/maximum-value storage. In this storage the highest resp. lowest measured value is saved.

Calling of the minimum-value    press button 3 shortly

the device will display "**Lo**" briefly, after that the min-value is displayed for about 2 sec.

Calling of the maximum-value    press button 2 shortly

the device will display "**Hi**" briefly, after that the max-value is displayed for about 2 sec.

Erasing of the min/max values    press button 2 and 3 for 2 sec.

The device will display "**CLr**" briefly, after that the min/max-values are set to the current displayed value.

## **8. Error codes**

When detecting an operating state which is not permissible, the device will display an error code.

The following error codes are defined:

### **Err.1: Exceeding of the measuring range**

Indicates that the valid measuring range of the device has been exceeded.

Possible causes:           - Input signal to high.  
                                  - Sensor shorted (0(4)-20mA).

Remedies:                   - The error-message will be reset if the input signal is within the limits.  
                                  - check transducer resp. device configuration (e.g. input signal)

### **Err.2: Value below the measuring range**

Indicates that the value is below the valid measuring range of the device.

Possible causes:           - Input signal is to low resp. negative.  
                                  - Current below 4mA.  
                                  - Sensor broken (4-20mA).

Remedies:                   - The error-message will be reset if the input signal is within the limits.  
                                  - Check transducer resp. device configuration (e.g. input signal)

### **Err.3: Display range has been exceeded**

Indicates that the valid display range (9999 digit) of the device has been exceeded.

Possible causes:           - Incorrect scale (slope).

Remedies:                   - The error-message will be reset if the display value is below 9999.

### **Err.4: Values below display range**

Indicates that display value is below the valid display range of the device (-1999 digit).

Possible causes:           - Incorrect scale.

Remedies:                   - The error-message will be reset if the display value is above -1999.

### **Err.7: System-error**

The device features an integrated self-diagnostic-function which checks essential parts of the device permanently. When detecting a failure, error-message Err.7 will be displayed.

Possible causes:           - Valid operating temperature range has been exceeded resp. is below the valid temperature range.  
                                  - Device defective.

Remedies:                   - Stay within valid temperature range.  
                                  - Exchange the defective device.

### **Er.11: Value could not be calculated**

Indicates a measuring value, needed for calculation of the display value, is faulty resp. out of range.

Possible causes:           - Incorrect scale.

Remedies:                   - Check settings and input signal.

## 9. Specification

### Absolute maximum ratings:

	Connection between	Performance data		Limit values		Remark
		min.	max.	min.	max.	
Supply voltage	3 and 4	207 VAC	244 VAC	0 VAC	253 VAC	
Relay output 1 and 2	1 and 3, 2 and 3				5 A, ohm resistive load	
Output 3 (NPN, open collector)	5 and 6			0 VDC	28 VDC, I < 30mA	
Input 0(4)-20 mA	7 and 6	0 mA	20 mA	0 mA	30 mA	
Input 0-10 V	8 and 6	0 VDC	10 VDC	-1 VDC	20 VDC	

**Absolute maximum ratings must not be exceeded (not even for a short period of time)!**

<b>Measuring inputs:</b>	4 – 20 mA 0 – 20 mA 0 – 10 V
<b>Display range:</b>	-1999 ... 9999 Digit, <i>initial value, terminal value and decimal point position arbitrary.</i> Recommended range: < 2000 Digit
<b>Accuracy:</b>	< 0.2% FS ±1Digit (at nominal temperature)
<b>Measuring freq.:</b>	approx. 100 measures / sec.
<b>Outputs:</b>	2 relay outputs, switching to 230V~ 1 NPN-output, switching to ground
<b>Relay Output:</b>	closing contact, breaking capacity: 5A, 230VAC, resistive load
<b>NPN-Output:</b>	NPN, Open Collector breaking capacity: 30mA, max. 28VDC
<b>Response Time:</b>	≤ 20 msec.
<b>Output functions:</b>	2-point, 3-point, 2-point with alarm, 3-point with alarm, min-/max-alarm.
<b>Switching points:</b>	arbitrary Switching delay: arbitrary: 0.01 ... 2.00 sec. Alarm delay: arbitrary: 1 ... 9999 sec.
<b>Display:</b>	approx. 10 mm high, 4-digit red LED-display
<b>Operation:</b>	3 push buttons
<b>Power supply:</b>	230V, 50/60Hz
<b>Power consumption:</b>	approx. 2VA
<b>Nominal temp.:</b>	25°C
<b>Operating ambient:</b>	-20 to +50°C
<b>Relative Humidity:</b>	0 to 80 %RH (non condensing)
<b>Storing temp.:</b>	-30 to +70°C
<b>Enclosure:</b>	main housing: fibre-glass-reinforced noryl front view-panel: polycarbonate
<b>Dimensions:</b>	24 x 48 mm (front-panel cut out).
<b>Installation depth:</b>	approx. 65 mm (incl. screw-in/plug-in clamps)
<b>Panel Mounting:</b>	via VA-spring-clip.
<b>Panel thickness:</b>	from 1 to approx. 10 mm possible.
<b>Panel cut-out:</b>	21.7+0.5 x 45+0.5 mm (H x W)
<b>Connection:</b>	via screw-in/plug-in clamps: 4-pol. for mains-supply and relay connection 4-pol. for measuring input and alarm output Conductor cross-selection: from 0.14 to 1.5 mm <sup>2</sup> (input/alarm) resp. 0.14 to 2.5mm <sup>2</sup> (mains/relay).
<b>Protection class:</b>	front IP54
<b>EMC:</b>	EN61326 +A1 +A2 (appendix A, class B), additional errors: < 1% FS When connecting long leads adequate measures against voltage surges have to be taken.

